

CAT5e SDJ SERIES 90-DEGREE STYLE 25-PACK KEYSTONE JACKS

Product Detail



Overview

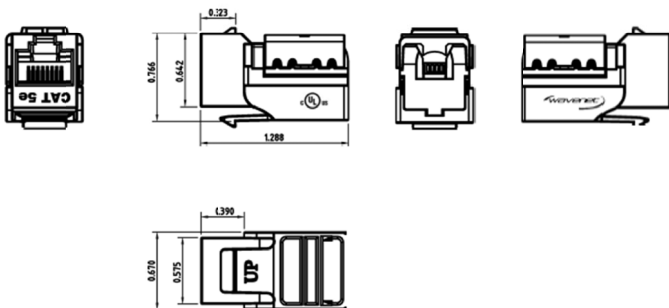
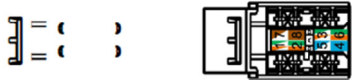
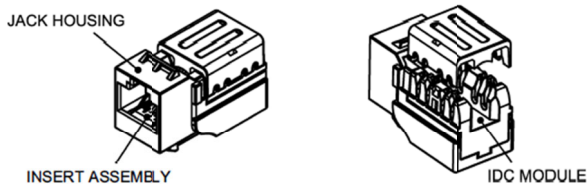
Wavenet’s Category 5e SDJ Series UTP Keystone Jacks have been designed with printed circuit board (PCB) technology providing with maximum performance. The 90-Degree punch down style Keystone Jacks are tested to meet and exceeds TIA-568-C.2 Category 5e 100-meter channel performance.

The contact pins designed are made with 50 micro-inches of gold-plated contact pins for maximum bandwidth and performance. Each Keystone Jack has a minimum of 750 cycles of plug insertions.

Features

- Component-rated performance
- Narrow body design with PCB technology
- Support TIA-568-C.2 Category 5e 100 meter channel
- Compatible with all Wavenet faceplates, blank patch panels and surface mount boxes
- 110-Type, 8P8C, RJ-45, T568A/B WIRING
- 90-Degree configuration for fast punch down
- Accepts 22-24 AWG UTP solid wire
- UL listed

Physical Specifications



Standards & Compliances

- UL Listed
- TAA Complaint
- RoHS
- ANSI/TIA-568-C
- ISO/IEC 11801
- IEC 60603-7-2

Package Includes

- CAT5e SDJ Series 90-Degree Keystone Jack, 25 PCS.
- Wire Cap, 25 PCS.

Part Number	Color	Package
5EKSJXX-SPK	XX = BL & WH	25-Pack